



# Offset Door Pulls

**CBH 7008**  
**CBH 7009**

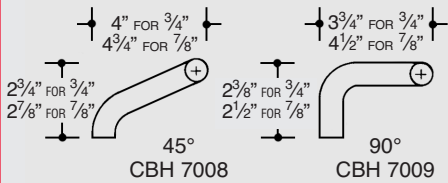
12" PULL 45°  
12" PULL 90°

OTHER SIZES AVAILABLE UPON REQUEST.



**MOUNTING:** 1, 3 OR 6.

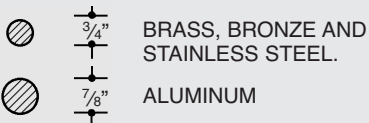
#1 MTG 5/16-18 NC  
#3 MTG 5/16-18 NC  
#6 MTG 3/8-16 NC



45°  
CBH 7008

90°  
CBH 7009

12" C/C



**FINISHES:** ALL STANDARD

**CBH 7108**  
**CBH 7109**

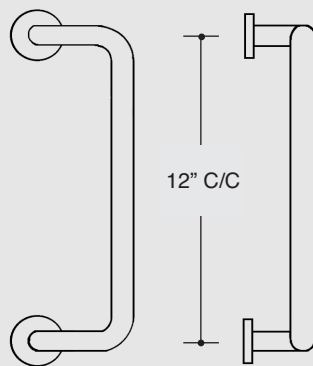
12" PULL 45°  
12" PULL 90°

WITH ROUND ROSETTES 1/8" x 2" DIA.



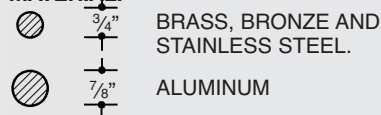
**MOUNTING:** 1, 3 OR 6.

#1 MTG 5/16-18 NC  
#3 MTG 5/16-18 NC  
#6 MTG 3/8-16 NC



12" C/C

**MATERIAL:**

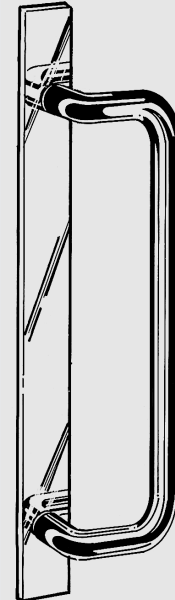


**FINISHES:** ALL STANDARD

**CBH 7508**  
**CBH 7509**

12" PULL 45°  
12" PULL 90°

WITH NARROW BACKPLATE



.050 GAUGE PLATES  
WILL BE SUPPLIED  
STANDARD, FOR  
THICKER PLATES  
USE SUFFIX

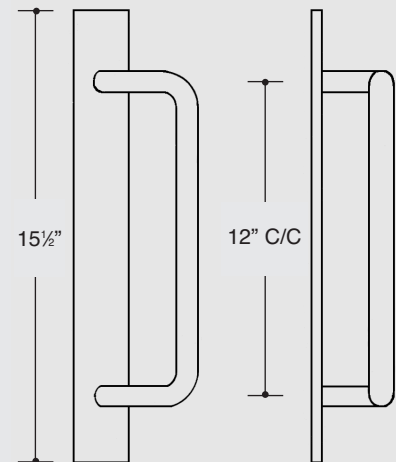
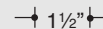
**B** 1/8 .125  
**C** 3/16 .187  
**D** 1/4 .250

**EXAMPLE:**

CBH 7508 = 7008 1 1/2" x 15 1/2" x .050

**MOUNTING:** 1, 3 OR 6.

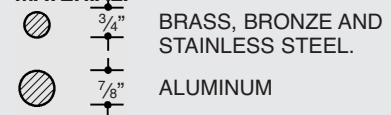
#1 MTG 5/16-18 NC  
#3 MTG 5/16-18 NC  
#6 MTG 3/8-16 NC



15 1/2"

12" C/C

**MATERIAL:**



**FINISHES:** ALL STANDARD



# Offset Door Pulls

**CBH 7008-1**  
**CBH 7009-1**

12" PULL 45°  
12" PULL 90°

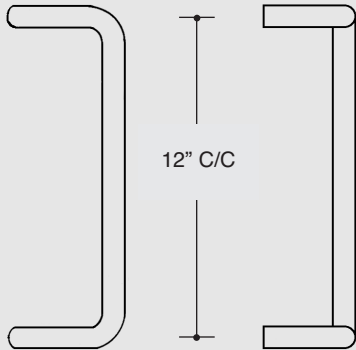
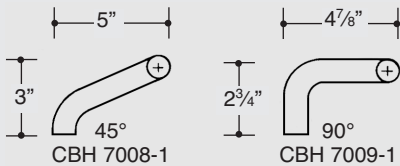
OTHER SIZES AVAILABLE UPON REQUEST

1" DIA PULL



**MOUNTING:** 1, 3 OR 6.

#1 MTG 5/16-18 NC  
#3 MTG 3/8-16 NC  
#6 MTG 3/8-16 NC



**MATERIAL:**

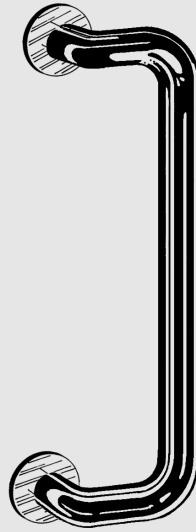
BRASS, BRONZE, ALUMINUM  
AND STAINLESS STEEL.

**FINISHES:** ALL STANDARD

**CBH 7108-1**  
**CBH 7109-1**

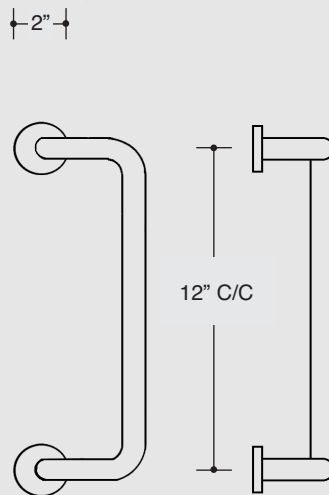
12" PULL 45°  
12" PULL 90°

WITH ROUND ROSETTES 1/8" x 2" DIA.



**MOUNTING:** 1, 3 OR 6.

#1 MTG 5/16-18 NC  
#3 MTG 3/8-16 NC  
#6 MTG 3/8-16 NC



**MATERIAL:**

BRASS, BRONZE, ALUMINUM  
AND STAINLESS STEEL.

**FINISHES:** ALL STANDARD

**CBH 7508-1**  
**CBH 7509-1**

12" PULL 45°  
12" PULL 90°

WITH NARROW BACKPLATE



.050 GAUGE PLATES  
WILL BE SUPPLIED  
STANDARD, FOR  
THICKER PLATES  
USE SUFFIX

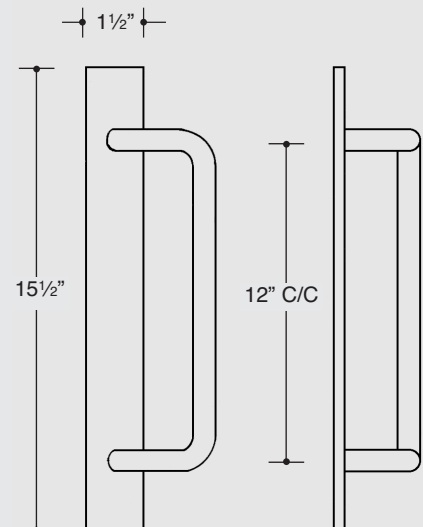
**B** 1/8 .125  
**C** 3/16 .187  
**D** 1/4 .250

EXAMPLE:

CBH 7509-1B = 7009-1 1 1/2" x 15 1/2" x .125

**MOUNTING:** 1, 3 OR 6.

#1 MTG 5/16-18 NC  
#3 MTG 3/8-16 NC  
#6 MTG 3/8-16 NC



**MATERIAL:**

BRASS, BRONZE, ALUMINUM  
AND STAINLESS STEEL.

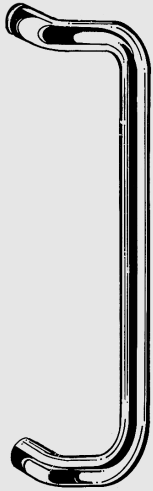
**FINISHES:** ALL STANDARD



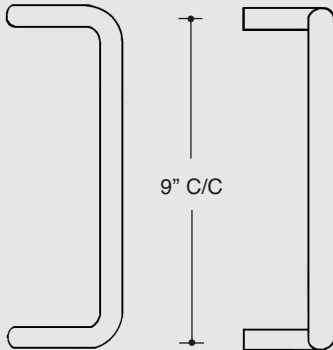
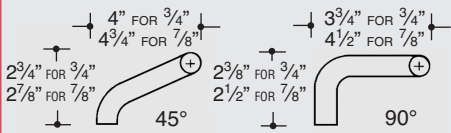
# Offset Door Pulls

**CBH 7238**  
**CBH 7239**

9" PULL 45°  
9" PULL 90°



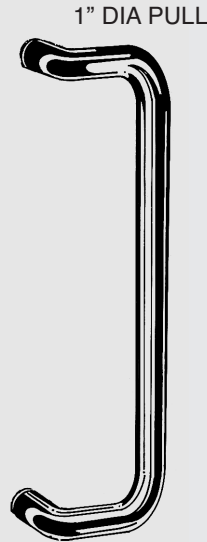
**MOUNTING:** 1, 3 OR 6.  
#1 MTG 5/16-18 NC  
#3 MTG 5/16-18 NC  
#6 MTG 3/8-16 NC



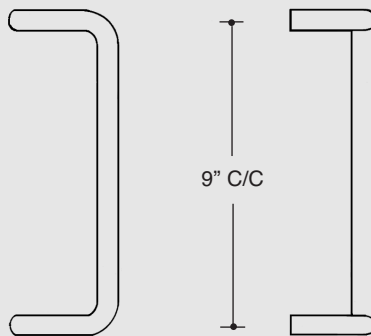
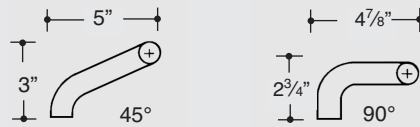
**MATERIAL:**  
 3/4" BRASS, BRONZE AND STAINLESS STEEL.  
 7/8" ALUMINUM  
**FINISHES:** ALL STANDARD

**CBH 7238-1**  
**CBH 7239-1**

9" PULL 45°  
9" PULL 90°



**MOUNTING:** 1, 3 OR 6.  
#1 MTG 5/16-18 NC  
#3 MTG 3/8-16 NC  
#6 MTG 3/8-16 NC



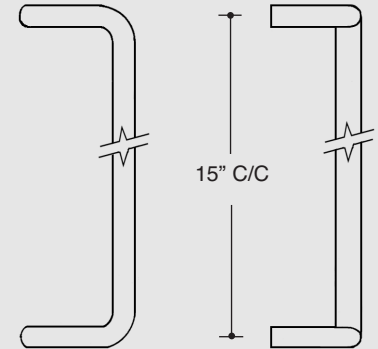
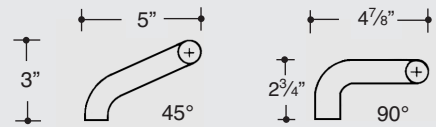
**MATERIAL:**  
 1" BRASS, BRONZE, ALUMINUM AND STAINLESS STEEL.  
**FINISHES:** ALL STANDARD

**CBH 7388-1**  
**CBH 7389-1**

15" PULL 45°  
15" PULL 90°



**MOUNTING:** 1, 3 OR 6.  
#1 MTG 5/16-18 NC  
#3 MTG 3/8-16 NC  
#6 MTG 3/8-16 NC



**MATERIAL:**  
 1" BRASS, BRONZE, ALUMINUM AND STAINLESS STEEL.  
**FINISHES:** ALL STANDARD