

71 Sheffield Street  
Toronto, Ontario  
M6M 3E9  
Canada  
Tel: 416-243-1166  
Fax: 416-243-3352  
Email: info@cbhmfg.com  
Web: www.cbhmfg.com

All dimensions are in inches.  
Product specifications are subject  
to change. For the most updated  
product features, contact our  
customer service department.

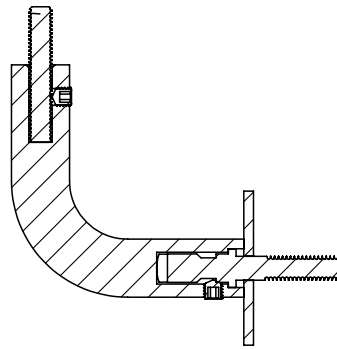
©2022 Canadian Builders  
Hardware MFG Inc.

## CBH WB50

MATERIAL:  
Stainless Steel and Brass

FINISHES: All Standard  
and Custom Finishes

Custom Sizes Available



SECTION E-E  
SCALE 1 : 2

